

# Scenic Elevators

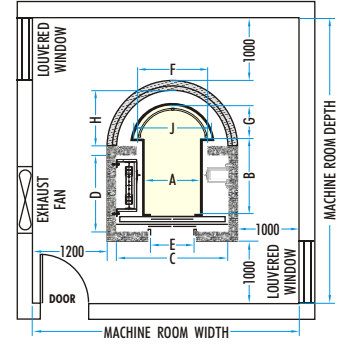


  
**OMEGA**  
**ELEVATORS**  
AN ISO 9001 COMPANY

# Recommended Dimensions of Capsule Autodoor Lifts

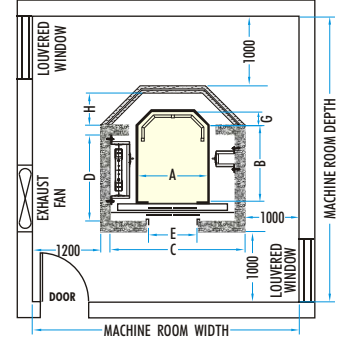
Option - A

| Load    |      | Car Inside |      |      |     | Lift Well |      |      |      | Entrance |
|---------|------|------------|------|------|-----|-----------|------|------|------|----------|
| Persons | kg   | A          | B    | J    | G   | C         | D    | F    | H    | E        |
| 8       | 544  | 1000       | 1200 | 1250 | 600 | 2000      | 1225 | 1230 | 1000 | 800      |
| 10      | 680  | 1100       | 1300 | 1400 | 650 | 2200      | 1325 | 1330 | 1100 | 900      |
| 13      | 884  | 1200       | 1400 | 1550 | 700 | 2400      | 1425 | 1430 | 1100 | 1000     |
| 16      | 1068 | 1300       | 1500 | 1700 | 750 | 2800      | 1525 | 1530 | 1200 | 1200     |



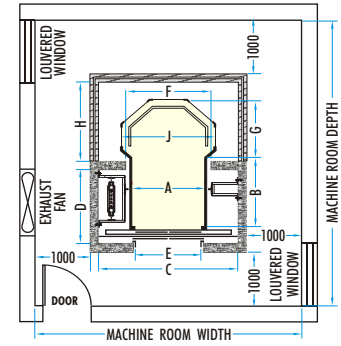
Option - B

| Load    |      | Car Inside |      |     | Lift Well |      |     | Entrance |
|---------|------|------------|------|-----|-----------|------|-----|----------|
| Persons | kg   | A          | B    | G   | C         | D    | H   | E        |
| 6       | 408  | 1000       | 1100 | 200 | 1850      | 1250 | 470 | 700      |
| 8       | 544  | 1150       | 1200 | 200 | 2050      | 1350 | 520 | 800      |
| 10      | 680  | 1250       | 1300 | 250 | 2250      | 1450 | 590 | 900      |
| 13      | 884  | 1400       | 1400 | 300 | 2400      | 1550 | 650 | 1000     |
| 16      | 1068 | 1550       | 1500 | 350 | 2800      | 1650 | 790 | 1200     |



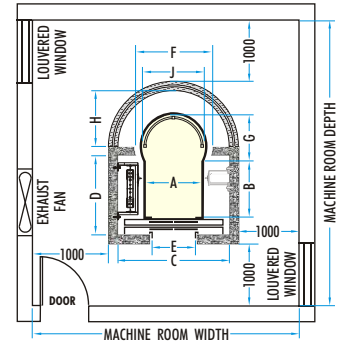
Option - C

| Load    |      | Car Inside |      |      |      | Lift Well |      |      |      | Entrance |
|---------|------|------------|------|------|------|-----------|------|------|------|----------|
| Persons | kg   | A          | B    | J    | G    | C         | D    | F    | H    | E        |
| 8       | 544  | 900        | 1150 | 1325 | 700  | 2000      | 1225 | 1130 | 1130 | 800      |
| 10      | 680  | 1000       | 1150 | 1425 | 800  | 2200      | 1225 | 1230 | 1200 | 900      |
| 13      | 884  | 1100       | 1150 | 1550 | 925  | 2400      | 1225 | 1330 | 1325 | 1000     |
| 16      | 1068 | 1300       | 1250 | 1650 | 1016 | 2800      | 1325 | 1530 | 1425 | 1200     |



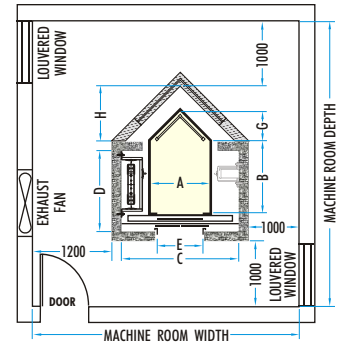
Option - D

| Load    |      | Car Inside |      |      |      | Lift Well |      |      |      | Entrance |
|---------|------|------------|------|------|------|-----------|------|------|------|----------|
| Persons | kg   | A          | B    | J    | G    | C         | D    | F    | H    | E        |
| 8       | 544  | 1000       | 1000 | 1150 | 850  | 2000      | 1300 | 1380 | 1000 | 800      |
| 10      | 680  | 1100       | 1100 | 1270 | 950  | 2200      | 1450 | 1500 | 1100 | 900      |
| 13      | 884  | 1200       | 1200 | 1390 | 1050 | 2400      | 1600 | 1620 | 1200 | 1000     |
| 16      | 1068 | 1300       | 1300 | 1510 | 1150 | 2800      | 1750 | 1740 | 1400 | 1200     |



Option - E

| Load    |      | Car Inside |      |     | Lift Well |      |      | Entrance |
|---------|------|------------|------|-----|-----------|------|------|----------|
| Persons | kg   | A          | B    | G   | C         | D    | H    | E        |
| 6       | 408  | 900        | 1100 | 450 | 1850      | 1250 | 860  | 700      |
| 8       | 544  | 1000       | 1300 | 500 | 2050      | 1450 | 960  | 800      |
| 10      | 680  | 1150       | 1300 | 575 | 2200      | 1450 | 960  | 900      |
| 13      | 884  | 1300       | 1500 | 650 | 2400      | 1650 | 1150 | 1000     |
| 16      | 1068 | 1400       | 1600 | 700 | 2800      | 1750 | 1350 | 1200     |



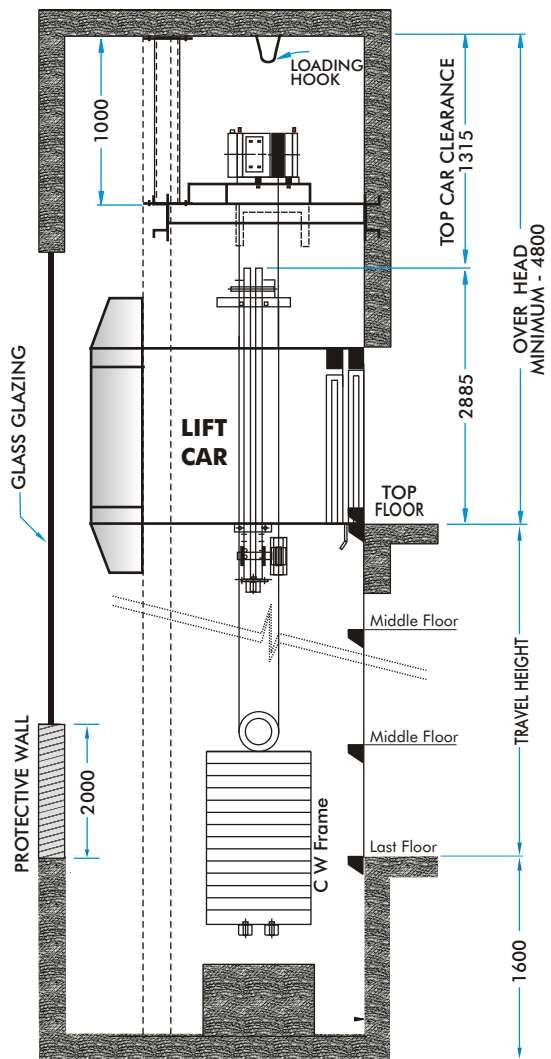
Above mentioned dimensions are suggestive only.

All dimensions in mm unless otherwise stated.

LIFT SHAFT, CAR, C.W. & MACHINE ROOM PLAN

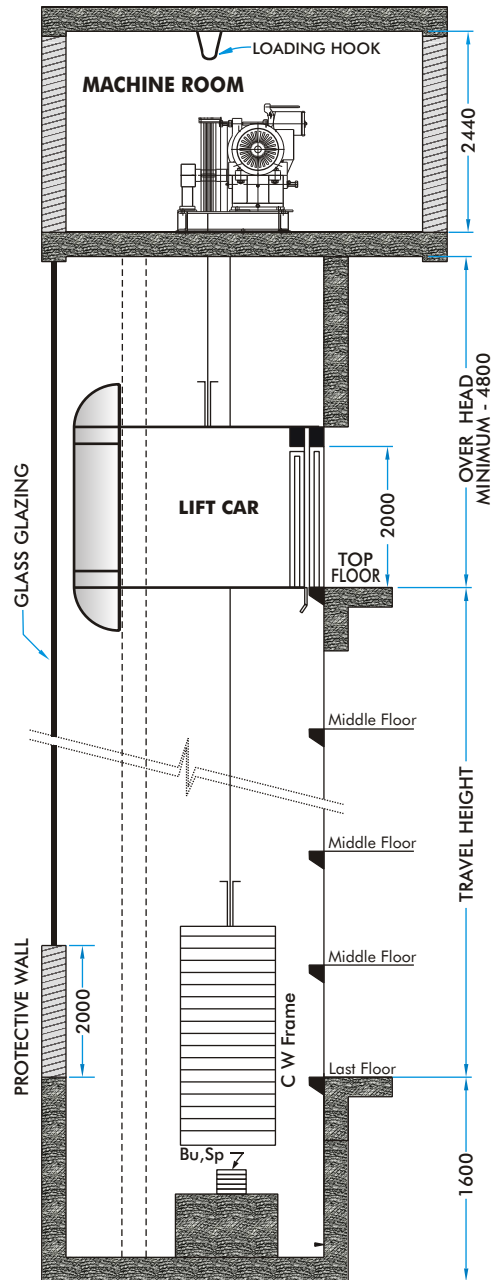


Without Machine Room

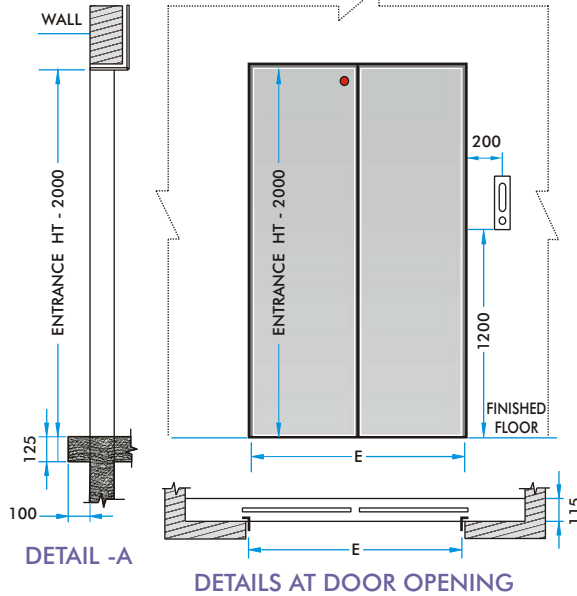


LIFT WELL (SECTION)

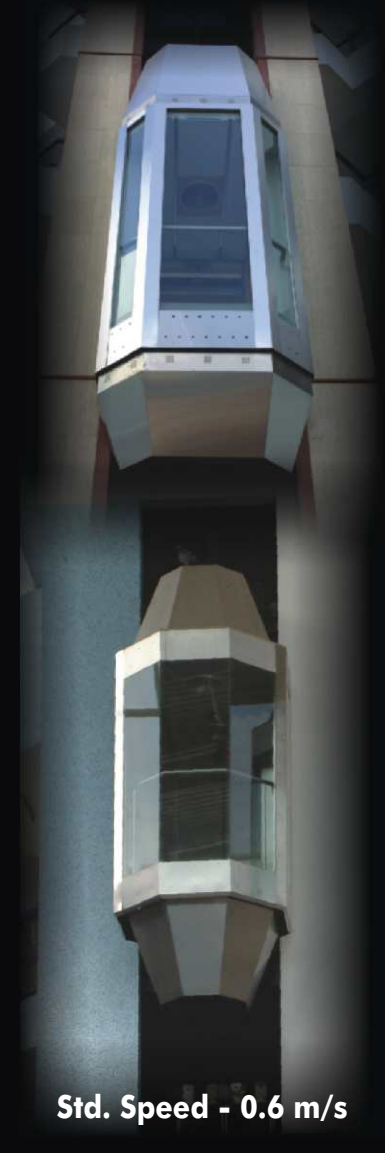
With Machine Room



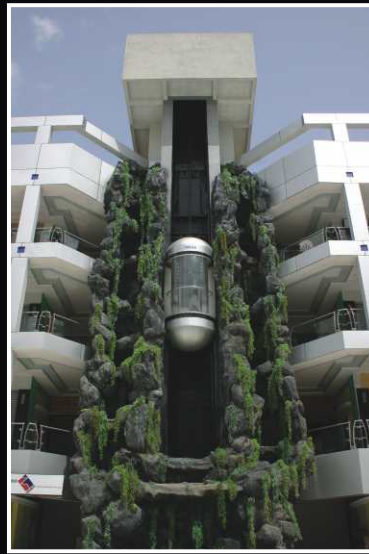
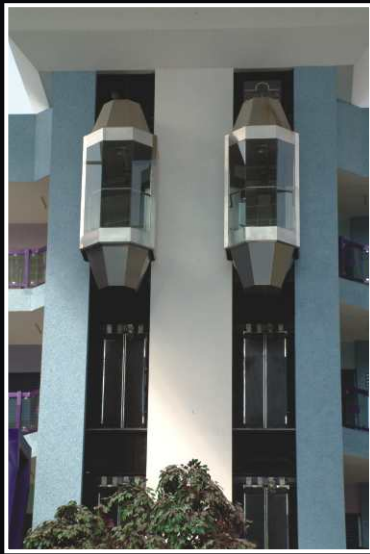
LIFT WELL (SECTION)



**OMEGA** Capsule Elevators act as Architectural highlights on prestigious buildings. They can be called the ornaments of a building as they enhance its beauty and bring life into it. Its design, features and infinite options add to its optimum travel comfort. It has aesthetically attractive interiors with large glass viewing panel. Capsule lifts demand specialised knowledge and our experience over last four decades in executing such projects comes handy. OMEGA capsule lifts are inspired with creative flair to suit your particular idea.



Std. Speed - 0.6 m/s



# Elevate Your Image With OMEGA



## HEAD OFFICE :

11, SANJIVBAG, NEW SHARDA MANDIR ROAD, PALDI, AHMEDABAD - 380 007, GUJARAT, INDIA  
 PHONE : + 91-79-26652899, 26652015 FAX : +91-79-26651834  
 E-Mail : info@omega-elevators.com

## WORKS :

5/C, ARCHANA IND. ESTATE, RAKHIAL, AHMEDABAD - 380 023.  
 PHONE : +91-79-22747954, 22760180 FAX : +91-79-22740180  
 E-Mail : factory@omega-elevators.com

Web Site : [www.omega-elevators.com](http://www.omega-elevators.com)

## BRANCHES & INSTALLATIONS

|            |           |           |           |            |              |
|------------|-----------|-----------|-----------|------------|--------------|
| AGRA       | COCHIN    | JAMNAGAR  | MUMBAI    | SIKKIM     | BHUTAN       |
| AHMEDABAD  | DAHOD     | JODHPUR   | MEHSANA   | SURAT      | BANGLADESH   |
| ALLAHABAD  | DELHI     | JUNAGADH  | NAGPUR    | SILIGUDI   | DUBAI        |
| AKOLA      | DEHRADUN  | KANPUR    | NATHDWARA | TRIVENDRUM | EAST AFRICA  |
| ANAND      | GUWAHATI  | KOLKATA   | PALI      | UDAIPUR    | EGYPT        |
| BANGLORE   | GWALIOR   | KOLHAPUR  | PORBANDAR | VADODARA   | ISRAIL       |
| BHAVNAGAR  | GOA       | KHOZIKODE | PUNE      | VALSAD     | KUWAIT       |
| BHOPAL     | HYDERABAD | LUDHIANA  | RAJKOT    | VAPI       | SAUDI ARABIA |
| BHUJ       | INDORE    | LATUR     | RANCHI    | VARANASI   | MAURITIUS    |
| CHANDIGARH | JAIPUR    | LUCKNOW   | RAIPUR    |            | NEPAL        |
|            |           |           |           |            | SRI LANKA    |
|            |           |           |           |            | SOUTH AFRICA |
|            |           |           |           |            | TANZANIA     |